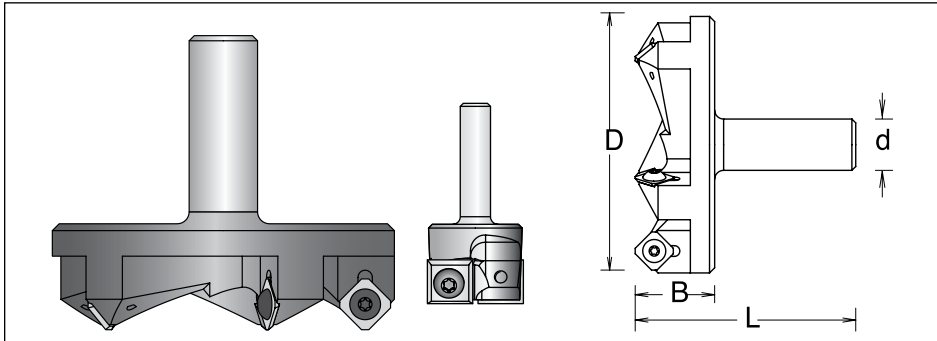


Planing & Rebating Router Cutter

All types of wood, penetrating (6mm)

Disposable insert planing and rebating router cutter complete with 2-5 cutting flutes and scorers. Suitable for planing and rebating in soft wood, hard woods and man-made boards. Ideal tool for fast removal of material over a large surface area such as spoil boards on CNC machines. For use on routers and machining centers with CNC control.



| Tool No. | Dia. | Shank | B | Teeth | Length | RPM |
|----------|--------|-------|--------|-------|--------|--------|
| 8073745 | 25.4mm | 18.0 | 12.0mm | 2 | 53.0mm | 28,000 |
| 8073219 | 63.0mm | 12.0 | 21.0mm | 3 | 66.0mm | 14,000 |
| 8073800 | 97.0mm | 20.0 | 31.0mm | 5 | 86.0mm | 12,000 |

Three family groups available:

- Man-made board, non-penetrating
- Solid wood, non-penetrating
- All types of wood, penetrating (6mm)

Replacement Parts:



T.C. Blade
L12
12x12x1.5



T.C. Blade
3608544
12x12x1.5



Torx screw
1933950
M4x6



Torx screw
1931482
M5x6.3



Torx Key
1941015
T - 15

